

HL-4938WN31

ACCESSORIES :



Aluminum Profile
Code: 4938WN31



Aluminum Endcap
(with/without hole)
Code: 4938WN31-EC
Code: 4938WN31-EC-O



Aluminum blank cover
Code: 4938WN35-AD



Metal Clip
Code: 4938-WS31



Spring Clip
Code: 4938WN31-S



Joiners 90°A
Code: J-90A



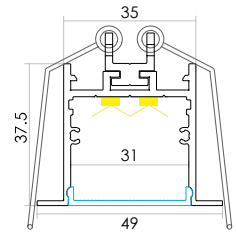
Joiners 90°B
Code: J-90B



Joiners 180°A
Code: J-180A



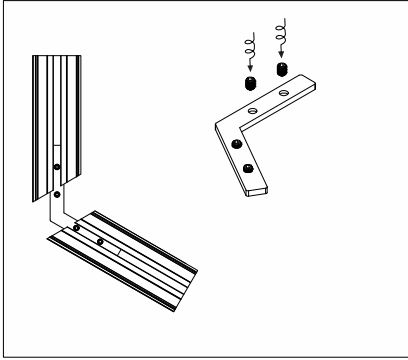
Joiners 120°
Code: J-120



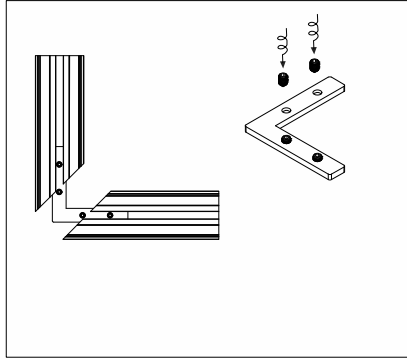
Optional Diffuser(PMMA)					
D005 type					
Dimensions(mm)	Max strip width	Opal	Milky	Frosted	Clear
35*37.5	31mm	✓	✓	✓	✓
Code		D005-O	D005-M	D005-F	D005-C
Light Transmittance		63%	78%	89%	95%

< 38.4W/m
Aluminum Profile Weight:0.64kg/m
Standard length availability:2m,2.5m
Customized length below 6m upon your request.

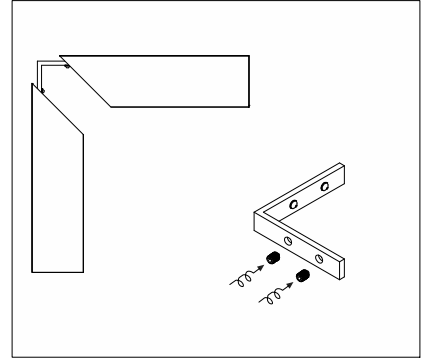
Joint Accessories



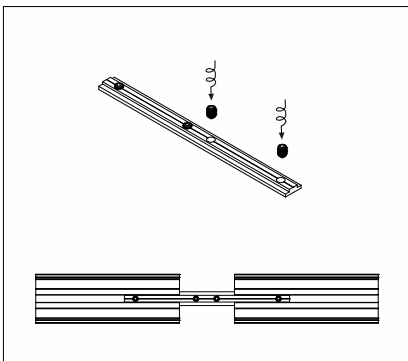
120°



90°A

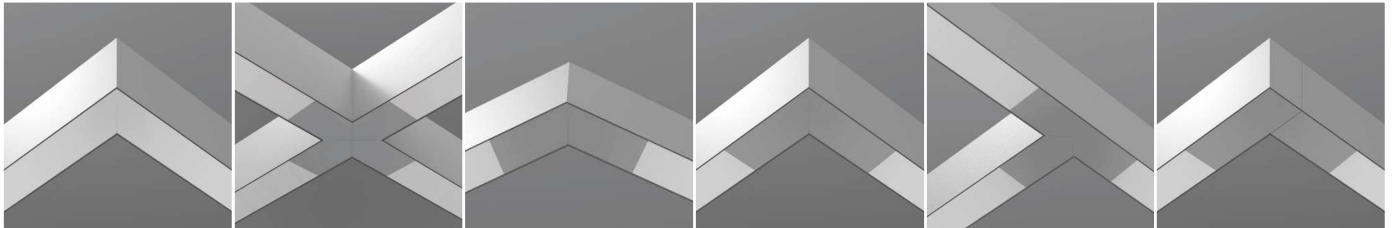


90°B



180°A

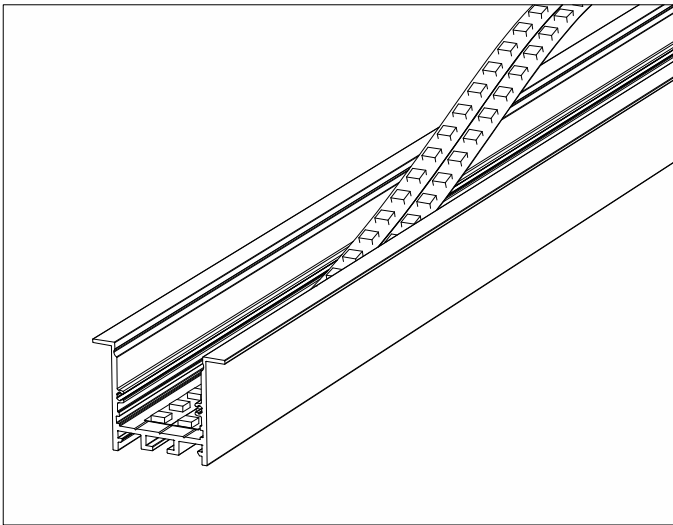
Installation examples using joints



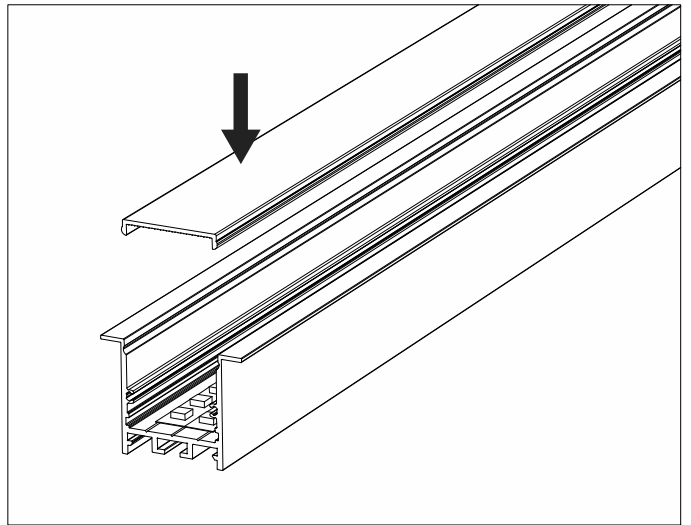


Installing Instructions

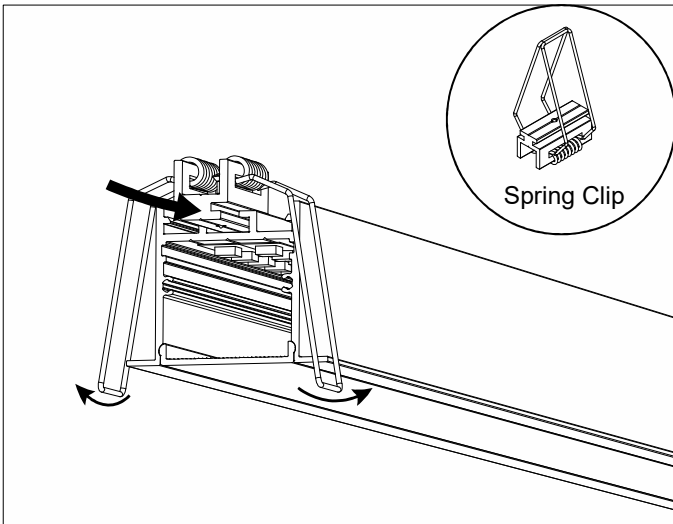
Recessed



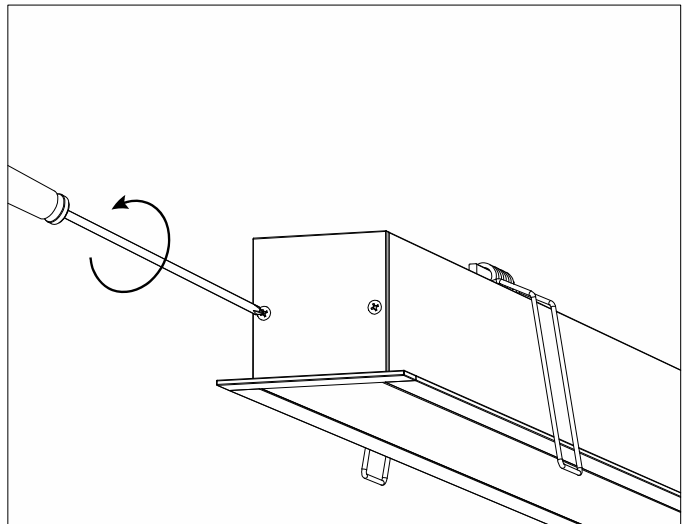
1. Fit the led strip on the aluminium



2. Click/snap on the diffuser from end to end



3. Install the Spring Clips



4. Screws the end caps

