

Single colour 5 zones LED Strip Remote control

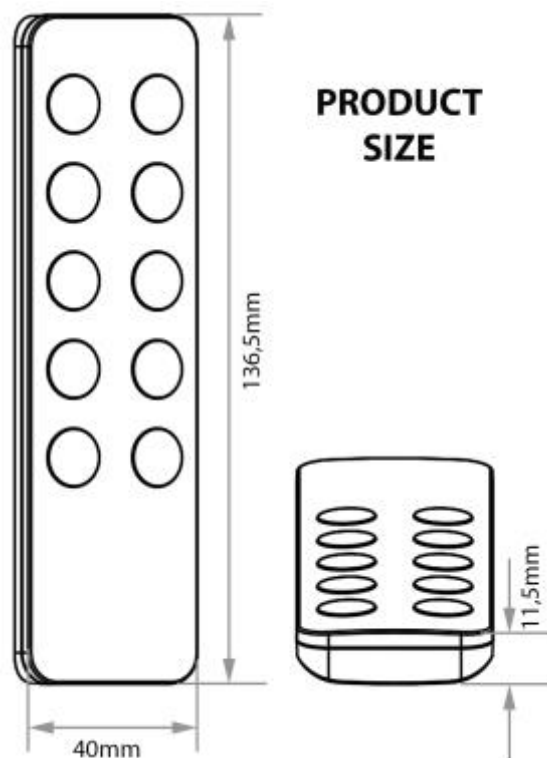


This remote control can be used with single colour LED Strips for switching and dimming of up to 5 zones of lighting.

Can only work with (Model: [RGBW-RX01E](#)) wireless 4CH LED controller; One zone per controller. Note that even if the controller consists of 4 Channels they will all be working under the same remote control zone, to control more zones (max. up to 5) you will need to add extra wireless LED controllers (RGBW-RX01). For every zone, multiple LED controllers can be paired with no limitation except the distance from the remote control to the last LED controller not to exceed 30m.

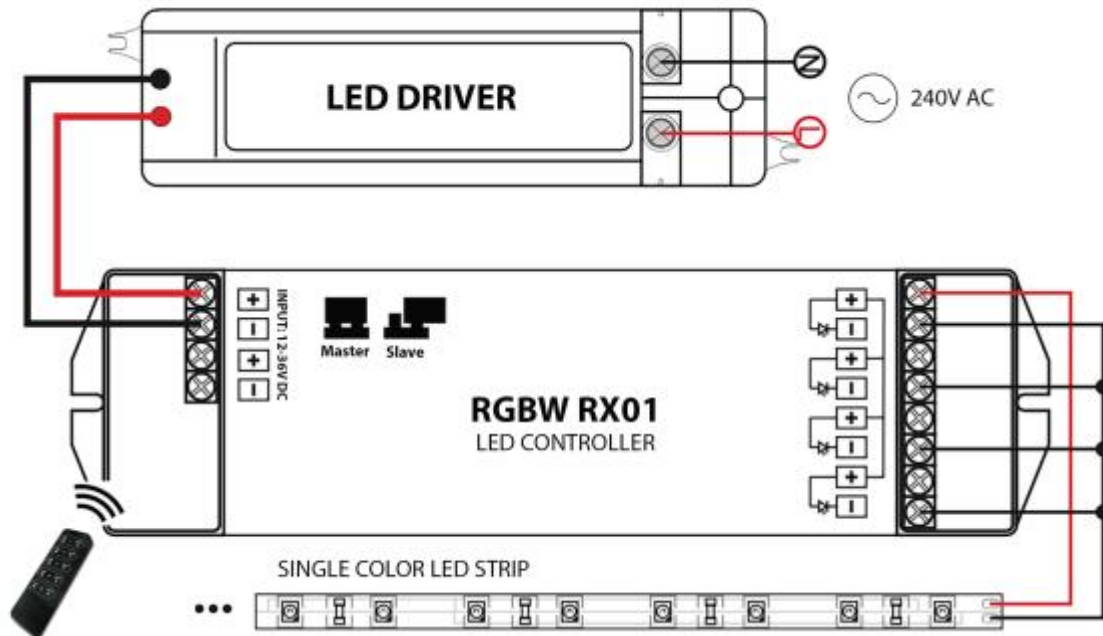
Feature:

- Reliable stable switch and dimming control function, control range $\geq 20M$.
- Long life battery can last for 1 to 2 years depending on usage.
- Switching on/off by fading in/out without flickering.
- Dimming range 0,1-100%.
- Used with multiple controllers to expand the output power without limits.
- Enable up to 5 zones independent control, each zone can have unlimited controllers. Every controller can be used with 8 different remotes.
- Enable dimming and ON/OFF switching using same push buttons.
- Controllers can work with WIFI gateway Wi-Fi-RF-RX02 after installing app on IOS and Android system.
- Push dim function.

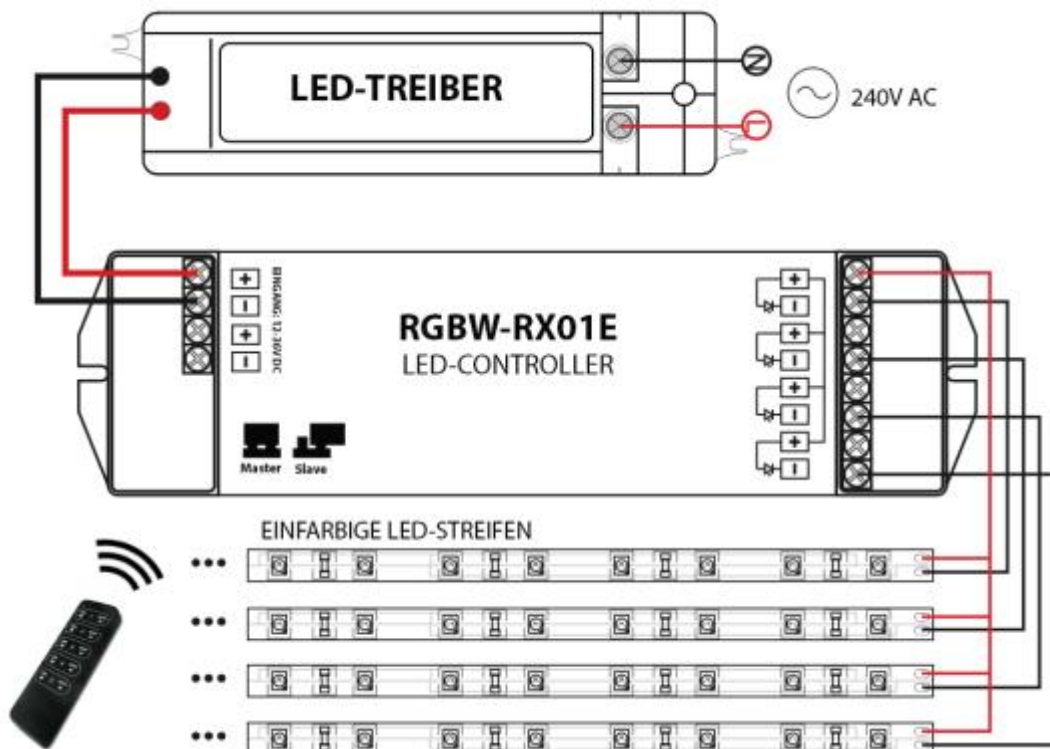


Wiring diagram:

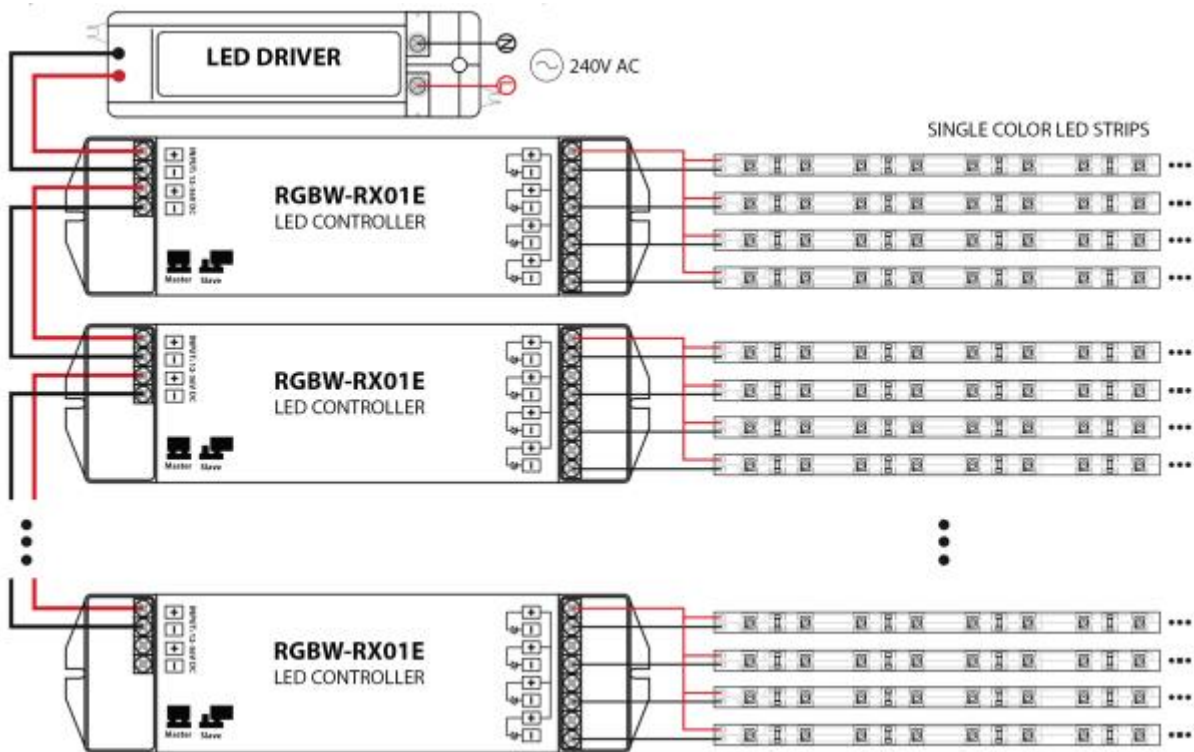
1. Receiver connection diagram for single unit by merging the four channels to a common output.





2. Receiver connection diagram for single unit by Connect the four channels separately.



3. Receiver connection diagram for multiple units.



Operation

1. After you have wired all the receivers according to Figure, you will need to do the following:
2. Pull off the plastic film cover of the battery at the back of remote.
3. If you use multiple receivers, you have 2 choices:
 - a. Have all receiver in the same zone (like zone 1 for example)
 - b. Or, have each receiver in a different zone (like zone 1,2,3 and so on)
4. In order for each receiver to know what zone it belongs to, you will need to „pair“ it to the zone you wish to use: short press the Learning Key on the receiver, then immediately short press the  or  from the zone you wish to use (for example ON/OFF from zone 1). Once you do that, the LED lights will blink once. Now you remote and receiver are paired!
5. Do the same for the other receivers if you use them.

This wireless receiver can work in any of the 5 zones. It has a special “Learning Key” that is in the unit that will enable you to pair it to any of the 5 zones in the wireless remote control. You can add as many optional receivers as you wish, to create up to 5 different control zones. Each zone can have an endless number of receivers, which will let you escalate any installation from small to super-size.

Memory reset:

In case you want to reset the memory of the receiver, press the learning function button for 10 seconds while the unit is being powered. The unit will then reset to factory defaults. To re-assigning the receiver to a different zone is easy, just repeat Step No. 4 as above.



Short press to turn on a zone. Press and hold to increase brightness.



Short press to disable a zone. Press and hold to decrease the brightness.