

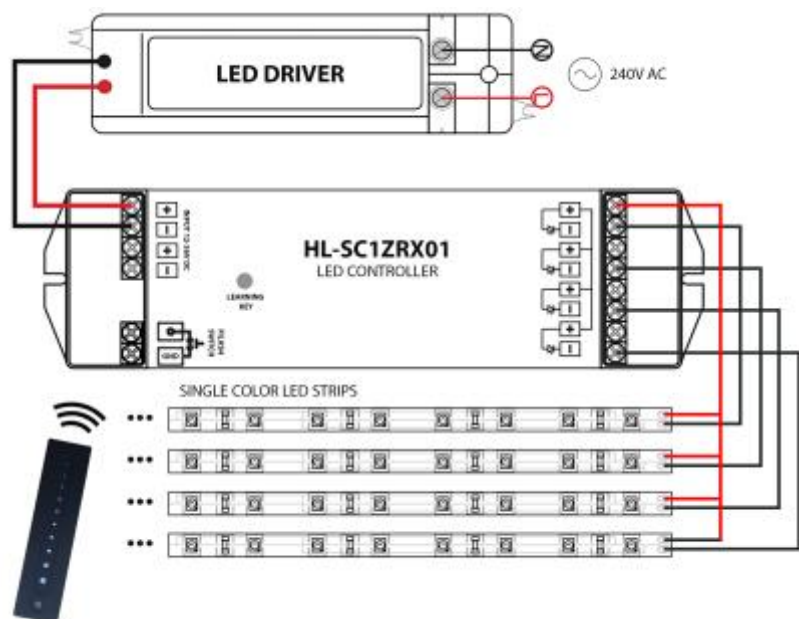
Wireless Single Colour LED Strip Controller



Wireless 1CH LED Controller

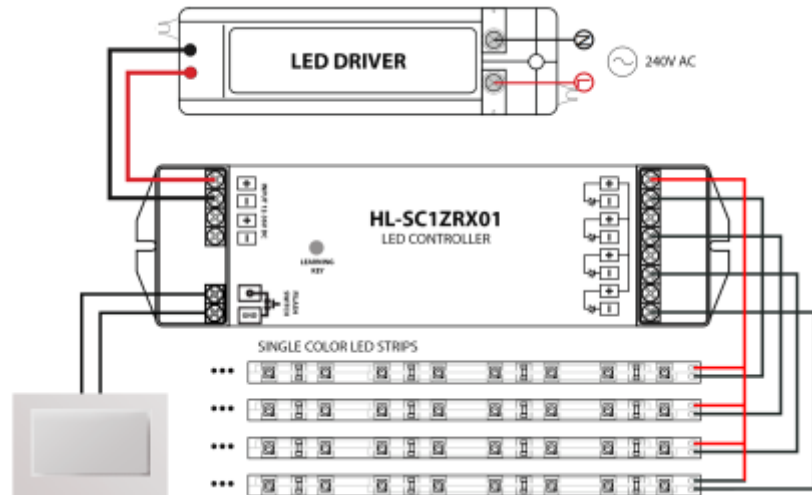
1 Channel/4 outputs,
5A max. each
12~36V Input/output
Remote Learning Key

5 year warranty

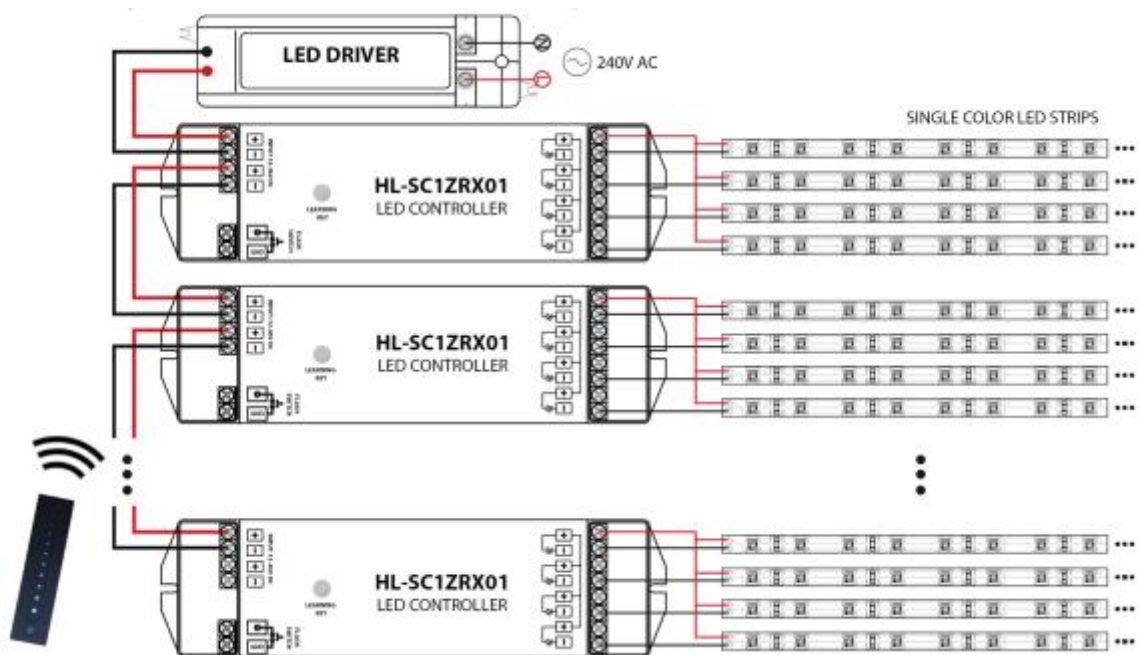


This controller can be operated with Hi-Line's single zone LED remote control model „[SC1ZX01](#)“ (sold separately)...

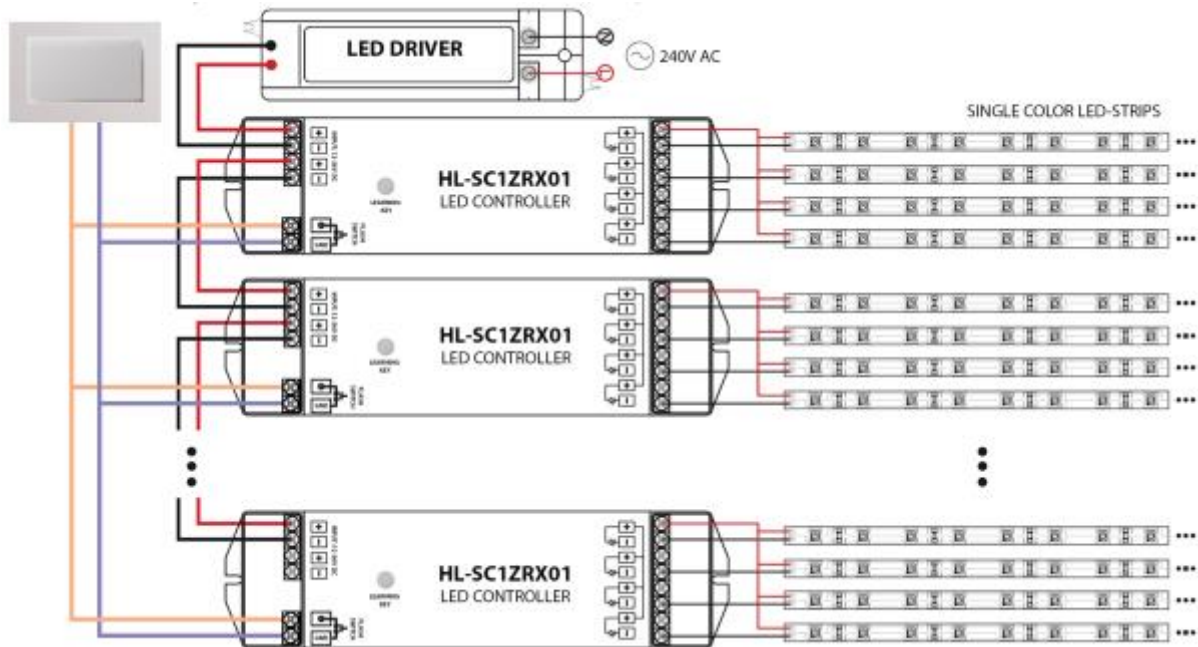
... as well as with a normal press switch.
 Push on/off, or keep pressed for dimming.
 The last dimming setting will be memorized.



Several controllers can be assigned to operate with one remote control ...



... or with a press switch and LED strips will still be in sync.



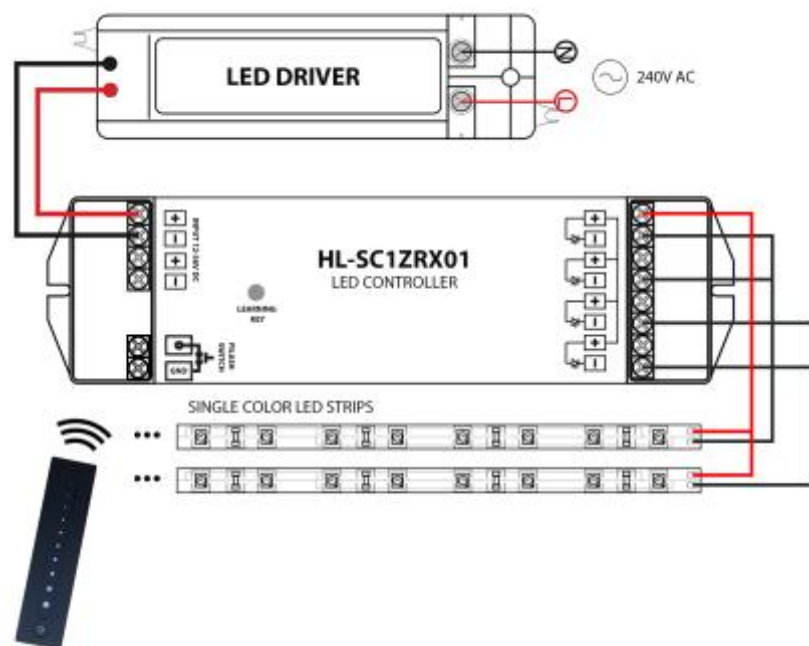
That way the controller can be paired with the remote control quickly and easily.

This wireless LED strip controller can operate with a wide range of input voltages between 12 to 36 Volts DC. Therefore, it is ideal for use with either 12 or 24 Volts LED strips.

1 Channel / 4 outputs (used for splitting LED strip load), maximum load per channel is 5 Amps.

Standard output configuration of this controller is 4 channels with max. 5A each.

The 2 channels can be bridged resulting in ...
... **2 x 10A** outputs.



All outputs (using either 2 or 4 CH) operate in sync in the same zone/area, i.e. show same dimming level.